

推力关节轴承公差

Tolerances for spherical Plain Thrust Bearings

轴圈和轴承高度 Shaft washer and height of bearing

| d mm | | Δdmp μm | | Vdp μm | $Vdmp$ μm | ΔBs μm | | ΔHs μm | |
|---------|--------|----------------------|-----|---------------|----------------|---------------------|------|---------------------|------|
| 超过 over | 到 incl | max | min | max | max | max | min | max | min |
| — | 18 | 0 | -8 | 8 | 6 | 0 | -240 | 250 | -400 |
| 18 | 30 | 0 | -10 | 10 | 8 | 0 | -240 | 250 | -400 |
| 30 | 50 | 0 | -12 | 12 | 9 | 0 | -240 | 250 | -400 |
| 50 | 80 | 0 | -15 | 15 | 11 | 0 | -300 | 250 | -500 |
| 80 | 120 | 0 | -20 | 20 | 15 | 0 | -400 | 250 | -600 |
| 120 | 180 | 0 | -25 | 25 | 19 | 0 | -500 | 350 | -700 |
| 180 | 200 | 0 | -30 | 30 | 23 | 0 | -600 | 350 | -800 |

底圈 Housing washer

| D mm | | ΔDmp μm | | VDp μm | $VDmp$ μm | ΔCs μm | |
|---------|--------|----------------------|-----|---------------|----------------|---------------------|------|
| 超过 over | 到 incl | max | min | max | max | max | min |
| — | 30 | 0 | -9 | 12 | 7 | 0 | -240 |
| 30 | 50 | 0 | -11 | 15 | 8 | 0 | -240 |
| 50 | 80 | 0 | -13 | 17 | 10 | 0 | -300 |
| 80 | 120 | 0 | -15 | 20 | 11 | 0 | -400 |
| 120 | 150 | 0 | -18 | 24 | 14 | 0 | -500 |
| 150 | 180 | 0 | -25 | 33 | 19 | 0 | -500 |
| 180 | 250 | 0 | -30 | 40 | 23 | 0 | -600 |
| 250 | 315 | 0 | -35 | 47 | 26 | 0 | -700 |
| 315 | 400 | 0 | -40 | 53 | 30 | 0 | -800 |

推力关节轴承配合

Fits of spherical Plain Thrust Bearings

轴配合 Shaft fits

| 工作条件 Operating conditions | 滑动摩擦副 Sliding contact surface combination | |
|--|---|-----------------------|
| | 润滑型 repuring maintenance | 自润滑型 maintenance-free |
| 各种载荷, 过盈配合 Loads of all kinds, interference fit | m6 | m6 |

支承座配合 Housing fits

| 工作条件 Operating conditions | 滑动摩擦副 Sliding contact surface combination | |
|---------------------------|---|-----------------------|
| | 润滑型 repuring maintenance | 自润滑型 maintenance-free |
| 纯轴向载荷 Purely axial loads | H11 | H11 |
| 联合载荷 Combined loads | J7 | J7 |

轴径公差 Shaft diameter tolerances

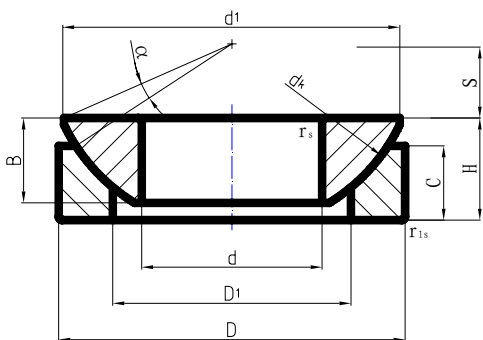
| 轴径 Shaft diameter, mm | | 轴径公差 Shaft diameter tolerances, μm | |
|--------------------------|--------|--|-----|
| | | m6 | |
| 超过 over | 到 incl | high | low |
| 6 | 10 | +15 | +6 |
| 10 | 18 | +18 | +7 |
| 18 | 30 | +21 | +8 |
| 30 | 50 | +25 | +9 |
| 50 | 80 | +30 | +11 |
| 80 | 120 | +35 | +13 |
| 120 | 180 | +40 | +15 |
| 180 | 250 | +46 | +17 |

支承座孔公差 Housing bore tolerances

| 支承座孔径 Housing bore diameter,mm | | 支承座孔径公差 Housing bore tolerances, μ m | | | |
|-----------------------------------|--------|---|------|-----|------|
| | | H11 | | J7 | |
| 超过 over | 到 incl | low | high | low | high |
| 18 | 30 | 0 | 130 | -9 | 12 |
| 30 | 50 | 0 | 160 | -11 | 14 |
| 50 | 80 | 0 | 190 | -12 | 18 |
| 80 | 120 | 0 | 220 | -13 | 22 |
| 120 | 150 | 0 | 250 | -14 | 26 |
| 150 | 180 | 0 | 250 | -14 | 26 |
| 180 | 250 | 0 | 290 | -16 | 28 |

推力关节轴承外形尺寸及载荷

Load and dimensions of spherical Plain Thrust Bearings



滑动摩擦副：钢/COB080

Sliding contact surface: steel/ COB080

| 轴承型号 Bearing type | 外形尺寸 Dimensions | | | | | | | | | | | 额定载荷 Load ratings,kN | | 重量 weight ≈kg |
|----------------------|--------------------|-----|------|------|------|-----|------|----------------|-----------------------|--|----------|-------------------------|---------------|---------------------|
| | d | D | B | C | H | dk | S | d ₁ | D ₁ min | r _s ,r _{1s} min | α ° ≈ | 动载荷 Dynamic | 静载荷 Static | |
| GAC10TCOB908 | 10 | 30 | 7.5 | 7 | 9.5 | 32 | 7 | 27.5 | 15.5 | 0.6 | 5 | 40 | 81 | 0.036 |
| GAC12TCOB908 | 12 | 35 | 9.5 | 9.3 | 13 | 38 | 8 | 32 | 18 | 0.6 | 5 | 56 | 112 | 0.072 |
| GAC15TCOB908 | 15 | 42 | 11 | 10.8 | 15 | 46 | 10 | 39 | 22.5 | 0.6 | 6 | 79 | 160 | 0.108 |
| GAC17TCOB908 | 17 | 47 | 11.8 | 11.2 | 16 | 52 | 11 | 43.5 | 27 | 0.6 | 4 | 92 | 186 | 0.137 |
| GAC20TCOB908 | 20 | 55 | 14.5 | 13.8 | 20 | 60 | 12.5 | 50 | 31 | 1 | 5 | 127 | 255 | 0.246 |
| GAC25TCOB908 | 25 | 62 | 16.5 | 16.7 | 22.5 | 68 | 14 | 58.5 | 34.5 | 1 | 5 | 203 | 407 | 0.415 |
| GAC30TCOB908 | 30 | 75 | 19 | 19 | 26 | 82 | 17.5 | 70 | 42 | 1 | 5 | 275 | 551 | 0.614 |
| GAC35TCOB908 | 35 | 90 | 22 | 20.7 | 28 | 98 | 22 | 84 | 50.5 | 1 | 5 | 403 | 806 | 0.973 |
| GAC40TCOB908 | 40 | 105 | 27 | 21.5 | 32 | 114 | 24.5 | 97 | 59 | 1 | 6 | 540 | 1086 | 1.59 |
| GAC45TCOB908 | 45 | 120 | 31 | 25.5 | 36.5 | 128 | 27.5 | 110 | 67 | 1 | 6 | 730 | 1470 | 2.24 |
| GAC50TCOB908 | 50 | 130 | 33 | 30.5 | 42.5 | 139 | 30 | 120 | 70 | 1 | 6 | 840 | 1670 | 3.14 |
| GAC60TCOB908 | 60 | 150 | 37 | 34 | 45 | 160 | 35 | 140 | 84 | 1 | 6 | 1140 | 2280 | 4.063 |
| GAC70TCOB908 | 70 | 160 | 42 | 36.5 | 50 | 176 | 35 | 153 | 94.5 | 1 | 3 | 1370 | 2750 | 5.37 |
| GAC80TCOB908 | 80 | 180 | 43.5 | 38 | 50 | 197 | 42.5 | 172 | 107.5 | 1 | 4 | 1700 | 3410 | 6.91 |
| GAC100TCOB908 | 100 | 210 | 51 | 46 | 59 | 22 | 45 | 198 | 127 | 1.1 | 4 | 1940 | 3890 | 10.9 |
| GAC120TCOB908 | 120 | 230 | 53.5 | 50 | 64 | 250 | 52.5 | 220 | 145 | 1.1 | 3 | 2170 | 4560 | 13.9 |
| GAC140TCOB908 | 140 | 260 | 61 | 54 | 72 | 274 | 52.5 | 243 | 177 | 1.5 | 3 | 2700 | 5440 | 18.1 |
| GAC160TCOB908 | 160 | 290 | 66 | 58 | 77 | 313 | 65 | 271 | 200 | 1.5 | 2 | 3265 | 6250 | 23.2 |
| GAC180TCOB908 | 180 | 320 | 74 | 62 | 86 | 340 | 67.5 | 299 | 225 | 1.5 | 4 | 3700 | 7220 | 30.9 |
| GAC200TCOB908 | 200 | 340 | 80 | 66 | 87 | 365 | 70 | 320 | 247 | 1.5 | 4 | 4780 | 9150 | 34.2 |